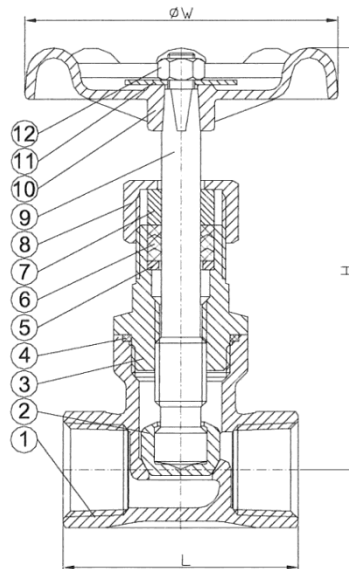


## Globe Valve Screwed End Manual

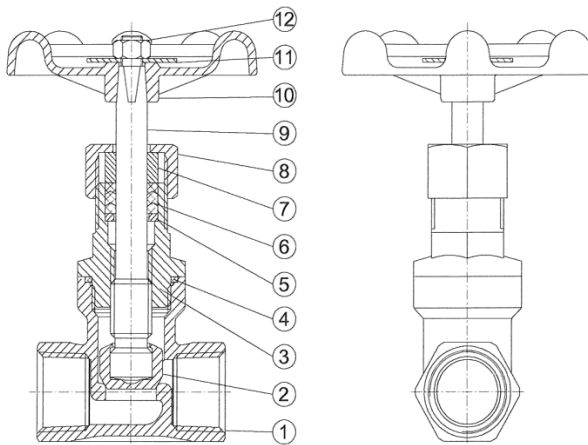
### The structure of the globe valve Screwed end



#### : Summary

The assembly to stop and switch of the globe valve is a plug-shaped disc, sealing surface is flat or cone, along the center line of the flow for linear motion. Globe valve is only applicable to full open or full close, not allowed to make adjustments and throttle.

the structure of globe valve Screwed end and their names:



**MATERIALS LIST:**

NO.	PART NAME	MATERIAL
1	BODY	CF8M
2	DISC	CF8M
3	BONNET	CF8M
4	GASKET	PTFE
5	WHORL GASKET	SUS304
6	PACKING	PTFE
7	GLAND	SUS304
8	CAP NUT	CF8M
9	STEM	SUS316
10	HANDLE	ALUMINUM
11	NAMEPLATE	ALUMINUM
12	NUT	SUS304

Detailed information while operating

Basic introduction

1. ON/OFF

10 (HANDLE)

Handlewheel working, Axis drive the disc working in a standard direction, to achieve the purpose of on/off. There are marks S and O on the (HANDLE) end, S means off; while O means open.

2 :Direction

The mark arrow in the body means the direction of the flowing media.

3. connection

The maintenance when it works

### 1. the leakage in the joint between BODY and BONNET

1 ( BODY ) 3 ( BONNET ) 4 ( GASKET )

Reason: After it works a period, the joint between 1(BODY) and 3(BONNET) get less tight, as a result the pressure on 4(GASKET) reduces, so it leaks.

3 ( BONNET ) 4 ( GASKET )

Method: Use proper spanner to make the 3(BONNET) properly tight, then the 4(GASKET) will increase the airtight between body and cap through the increasing pressure so it stops leakage.

These methods can be carried out periodically.

### 2. leakage in the STEM

6 ( PACKING ) 9 ( STEM )

Reason: For the long time on/off, the elasticity of the 6(PACKING) becomes less, as a result the airtight of the 9(STEM) get weaker, so it leaks.

8 ( CAP NUT ) 6 ( PACKING )

Method: Use the proper spanner to make the 8(CAP NUT) diagonal tight. Then the 6(PACKING) will increase the airtight between body and cap through the increasing pressure so it stops leakage.

The method can be conducted on a regular basis maintenance

When the product is used for a period, it should be mended if it still leaks after having been repaired as the above method.

A.

maintenance of the joint between BODY and BONNET

4 ( GASKET ) Method : replace the 4(GASKET)

A-1 disassembly

- 3 ( BONNET )
- Disassemble the joint 3(BONNET )
- 4 ( GASKET )
- Take off the 5(GASKET)

A-2 Installation

- 4 ( GASKET )
- put the new 5(GASKET) into the body, make sure it lever up;
- Install the cap to the body,and then use a proper spanner to tighten it

B. leakage on stem

6 ( PACKING ) Method : Replace the 6(PACKING)

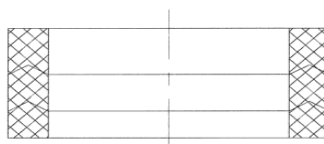
B-1 Disassembly

- 12 (STEM NUT) 11 (NAMEPLATE) 10 (HANDLE) 8 ( CAP NUT )
- Disassemble the 12(STEM NUT) 、 11(NAME PLATE) 、 10(HANDLE) 、 8(CAP STEM);

- 7(GLAIND) 8 (CAP NUT)
- Take the 7(GLAND)and 8(CAP NUT) out;

#### B-2 Installation

- 8 (CAP NUT) 7(GLAIND)
- Put the new 7(GLAND) into the cap,the the 8(CAP NUT), make sure it lever up
- 8 (CAP NUT)
- Installl the 8(CAP NUT) onto the cap, and then use a proper spanner to tighten it



Install the packing from the stem according to the direction above drawing;

checkup

After repaired , it should be checked up, if it still leaks , then mend it in the light of Part

Applies to the following articles:

**Female thread globe valves**

Article No.

Type No.

103795 to 103801

250.50-ES to 250.56-ES